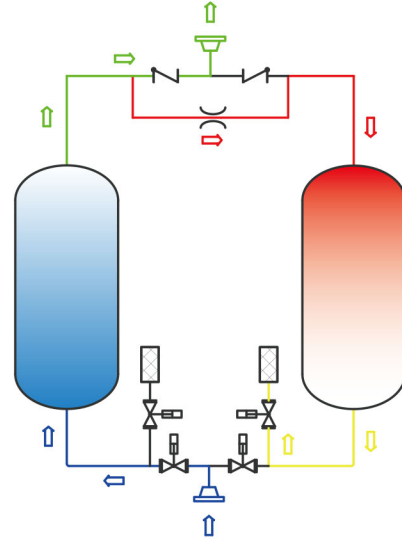


RSXW Series Heatless Compressed Air Adsorption Dryer



Technical Features

- Being configured with stainless steel diffusers at the inlet of adsorption tower, it makes uniform air distribution and prevents tunneling effect in the tower.
- With additional ceramic balls supporting at the bottom of adsorption tower, not only desiccant can be protected and get longer service life, but also air distribution is much more uniform.
- Customized high performance desiccant can assure best dew point.

All Adsorption dryers have passed latest CE safety certification.



- All series heatless adsorption air dryers are configured with high performance pneumatic valves as standard. They are sensitive and the pressure loss is low.
- Pneumatic control air supply comes with standard high efficiency oil removal, dust removal filters, extends control solenoid valves' service life, and ensures effective operation performance.
- Dew Point Operation System (DPOS) for optional, able to prolong adsorption time under the condition of fluctuating load, can greatly reduce the comprehensive energy consumption.

RSXW Series Heatless Compressed Air Adsorption Dryer

Technical Specifications

Model	Capacity		Air Connection	Installed Power kW	Dimension mm			Weight kg	Recommended Pre-Filter Model	Recommended After-Filter Model
	m³/min	CFM			L	W	H			
RSXW-20	2	71	DN25	0.2	779	549	1788	198	RSG-AA-0058G/V2	RSG-AR-0058G/V2
RSXW-30	3	106	DN25	0.2	839	549	1703	325	RSG-AA-0058G/V2	RSG-AR-0058G/V2
RSXW-60	6	212	DN40	0.2	1060	618	2020	510	RSG-AA-0145G/V2	RSG-AR-0145G/V2
RSXW-80	8	282	DN40	0.2	1060	618	2020	520	RSG-AA-0145G/V2	RSG-AR-0145G/V2
RSXW-100	10	353	DN50	0.2	1200	738	1824	585	RSG-AA-0220G/V2	RSG-AR-0220G/V2
RSXW-120	12	424	DN50	0.2	1200	738	1824	600	RSG-AA-0220G/V2	RSG-AR-0220G/V2
RSXW-150	15	530	DN50	0.2	1200	733	2028	680	RSG-AA-0330G/V2	RSG-AR-0330G/V2
RSXW-200	20	706	DN65	0.2	1500	914	1973	870	RSG-AA-0330G/V2	RSG-AR-0330G/V2
RSXW-250	25	883	DN65	0.2	1530	962	2056	975	RSG-AA-0430G/V2	RSG-AR-0430G/V2
RSXW-300	30	1059	DN80	0.2	1630	1199	2019	1150	RSG-AA-0620G/V2	RSG-AR-0620G/V2
RSXW-350	35	1236	DN80	0.2	1790	1207	2049	1275	RSG-AA-0620G/V2	RSG-AR-0620G/V2
RSXW-400	40	1412	DN80	0.2	1830	1232	2079	1350	RSG-AA-0620G/V2	RSG-AR-0620G/V2
RSXW-500	50	1766	DN100	0.2	2012	1316	2238	1600	RSG-AA-0830F/V2	RSG-AR-0830F/V2
RSXW-600	60	2119	DN100	0.2	2150	1387	2518	2100	RSG-AA-1000F/V2	RSG-AR-1000F/V2

Rated Conditions

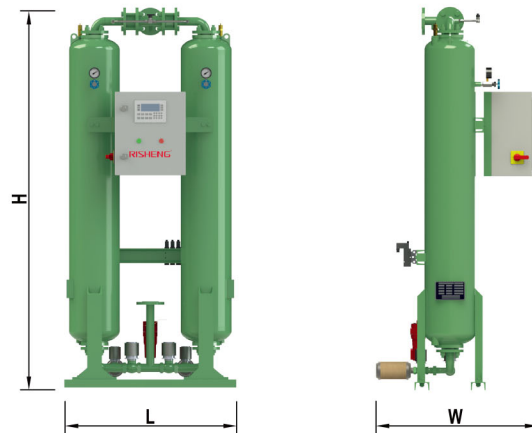
Working pressure : 0.7MPag / 100psig
 Inlet temp : 38°C / 100°F
 Ambient temp : 38°C / 100°F
 PDP : -40°C / -40°F

Working Range

Max. working pressure : 1.0MPag / 145psig
 Max. inlet temperature : 50°C / 122°F
 Max. ambient temperature : 40°C / 104°F

Available Options

- Higher pressure above 1.0MPag / 145psig
- PDP -20°C / -4°F and -70°C / -100°F
- Higher capacity
- Stainless steel vessel or piping
- GB, ASME, PED, etc. vessels



Correction Factors

Actual Capacity (m³/min) = Nominal Capacity × KA × KB

Working Pressure (KA)	Mpag	0.5	0.6	0.7	0.8	0.9	1.0
	psig	73	87	100	116	131	145
	CFP	0.87	0.94	1.00	1.06	1.12	1.17

Inlet Temperature (KB)	°C	35	38	40	42	45	50
	°F	95	100	104	108	113	122
	CFT	1.18	1.00	0.90	0.81	0.69	0.58